

**KREEPY  
KRAULY**

PROUDLY AUSTRALIAN  
DESIGNED AND MADE



**VTX-7**

**OWNER'S MANUAL**

## ***Congratulations***

Your new Kreepy Krauly VTX-7 is designed to give you years of reliable performance. As soon as you complete the final assembly steps, it's ready to use. Don't worry, it doesn't take long and this guide will walk you through assembly and installation step-by-step.

This booklet should answer all your questions. However if you need a little extra help, feel free to call our Customer Service Department, Mon-Fri 9am-5pm in your local area, or go to the website for up-to-date information.

**1800 777 255**

**[www.kreepykrauly.com.au](http://www.kreepykrauly.com.au)**

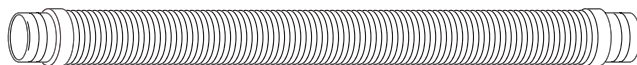
# Contents

- 2 *Components checklist*
- 4 *Assembling your VTX-7*
- 6 *Installing the VTX-7 in your pool*
- 11 *Fine-tuning your VTX-7*
- 13 *Authorised Kreepy Krauly Accessories*
- 14 *Troubleshooting*
- 18 *Looking after your VTX-7*
- 20 *What should I expect from my VTX-7?*
- 21 *Warranty information*

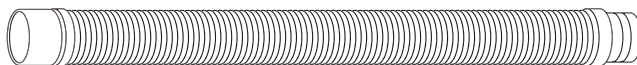
# Components checklist

You will find all the pictured components inside this box.

**Male-male hose x1**



**Male-female hose x11**



**Hose weights x3**



**Hose protector sleeve**



**Retaining collar**



**Smart-Skim**



**Smart-Skim adaptors**



used with most vacuum plates



used with Polyplastics 190 & 210 standard



used with Polyplastics SK10 (rectangular)

Auto Skim Upgrade (to replace Smart-Skim)

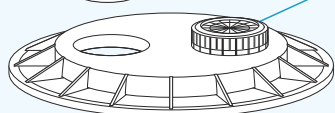
**Anti-vortex washer**



**Auto Skim valves**



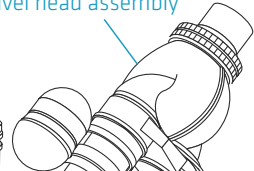
**Vacuum plate**



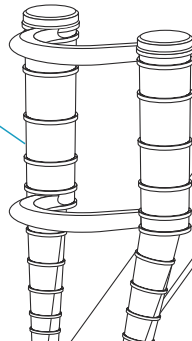
**Steering adjuster float bar**



**Swivel head assembly**

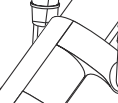


**Dive float assembly**

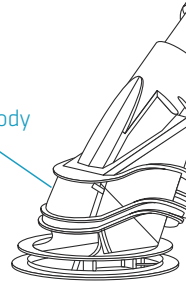


**VTX-7 cleaner unit**

**Pilot weight assembly**



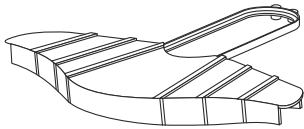
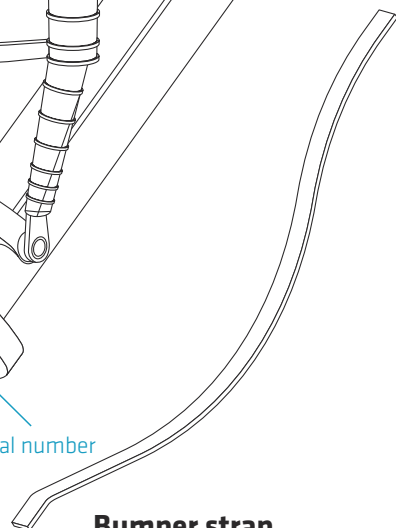
**Main body**



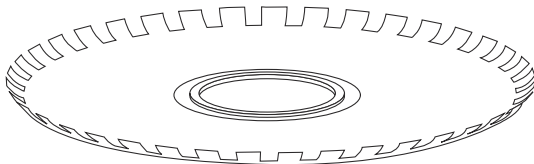
**Serial number**



**Bumper strap**



**Scoop**



**Silicon seal**



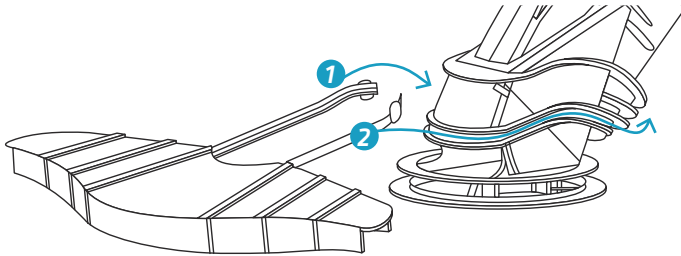
**Sole**

# Assembling your VTX-7

## STEP 1

### Attach the Scoop

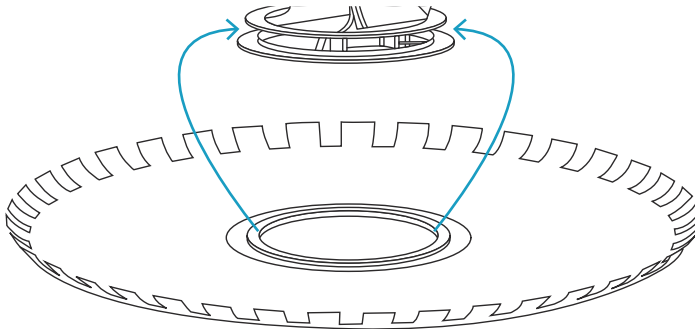
Gently run the straps of the scoop around the groove in the main body. When the tabs are secured correctly at the back of the main body, the straps should overlap.



## STEP 2

### Attach the Silicon Seal

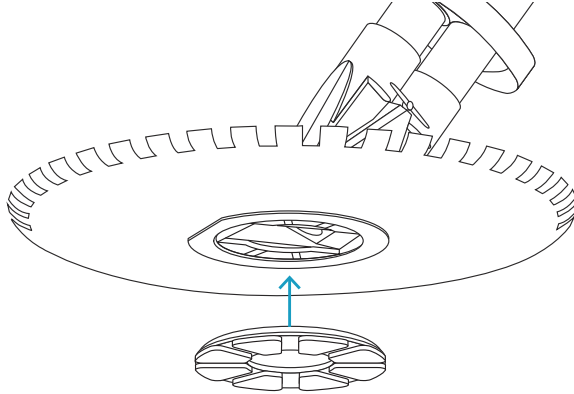
Slide the seal onto the groove at the bottom of the main assembly body so it's able to rotate freely.



### STEP 3

#### **Attach the Sole**

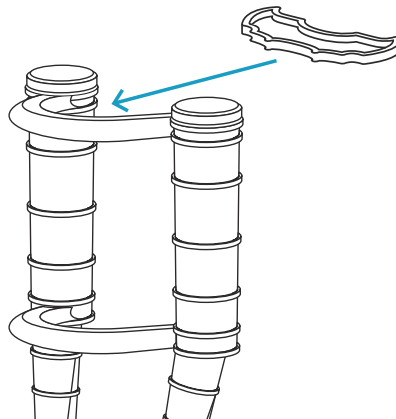
Fit the sole to the base of the main body. Ensure it is fitted all the way around.



### STEP 4

#### **Install the Steering Adjuster Float Bar**

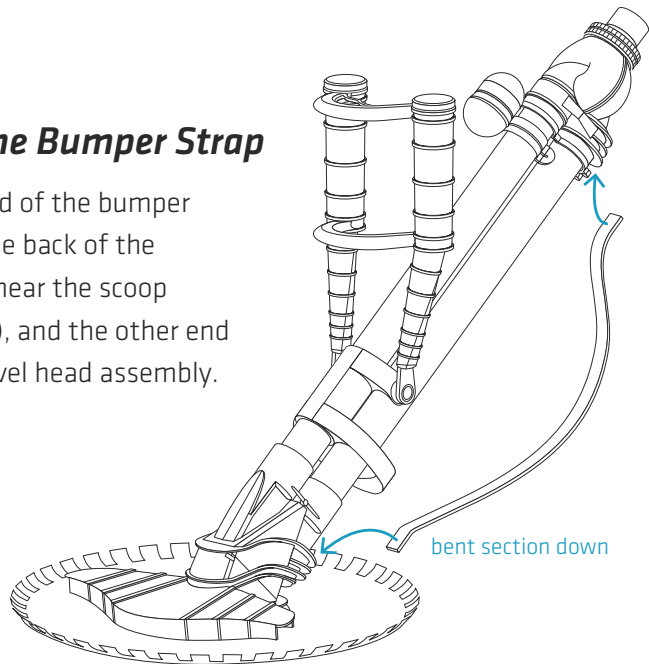
Fit the steering adjuster float bar into the top bridge of the dive float assembly. For adjustment hints, see page 12.



## STEP 5

### Attach the Bumper Strap

Slide one end of the bumper strap into the back of the main body (near the scoop attachment), and the other end into the swivel head assembly.



## Installing the VTX-7 in your pool

### STEP 1

#### Prepare your pool

If your pool is clean, balanced and algae-free, you're ready to get started.

- a. First, clean the skimmer and pump basket.
- b. Check the water level.
- c. Brush down the sides of your pool.
- d. Next, make sure the return jets are facing downwards.
- e. Then, backwash or clean your cartridge filter.
- f. **Now turn off the pump.**

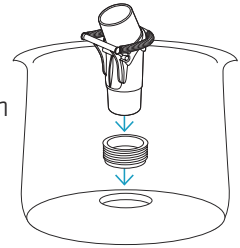


## STEP 2

### Fit the Vacuum Control Valve (2 options)

#### a. Smart-Skim (comes standard)

Insert the Smart-Skim into an adaptor fitting, then attach to your vacuum plate. Depending on the vacuum plate your pool uses, you may have to use **a different skim adaptor** – we've included 3 options (see page 2). You'll know it's the right **one** when there's a tight fit.



**TIP:** Depending on the Vacuum Plate your pool uses, you may have to **use a different skim adaptor** – we've included three for you to choose from. You know you're using the right **one** when there is a tight fit. See our website if you need help.



used with most vacuum plates

used with Polyplastics 190 & 210 standard

used with Polyplastics SK10 (rectangular)

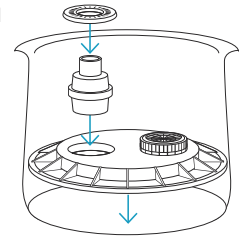
**NOTE:** To remove, **ensure the pump is off** and grasp from the bottom of the Smart-Skim, pulling up. (Note: Not from the hose or spring).

**OR**

#### b. Combined Vacuum Plate and Auto Skim valve (optional upgrade)

Your pool shop would have already assisted you in selecting the correct replacement for your pool's existing vacuum plate.

To assemble, place the Auto Skim Valve into the opening in the new Vacuum Plate. Attach the Anti-Vortex Washer over the valve inlet. Place the entire unit in the skimmer box.



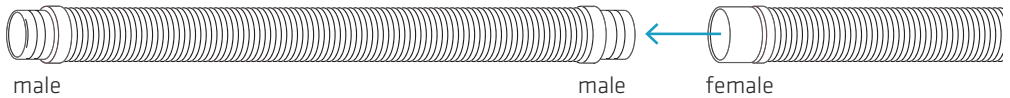
**NOTE:** A Vacuum Plate Clamp can stop your vacuum plate moving.

**TIP:** The Anti-Vortex Washer stops the slurping sound.

### STEP 3

#### **Build the Ultra Flex Hose**

Start with the male-male hose and twist on a female length. Keep going until the hose is long enough to reach from your skimmer box to the far corner of your pool plus around 1.5 metres extra – this will optimise the coverage of your VTX-7.

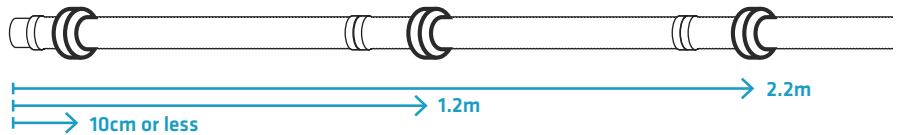


**TIP:** Wetting the hose ends in your pool will make them easier to connect to each other.

### STEP 4

#### **Attach the 3 Hose Weights**

Starting at the end that connects to the VTX-7, slide the first weight 2.2m along the hose. Now slide the second weight 1.2m along. Finally, slide the third weight no more than 10cm from where the hose will connect to the cleaner.

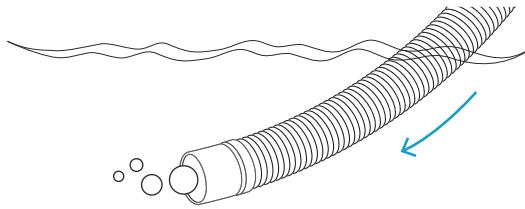


**TIP:** When using less than 8m of hose, only use 2 hose weights.

## STEP 5

### **Submerge the Hose**

Submerge the assembled hose in your pool to expel all the air by pushing downwards and feeding the hose into the pool.

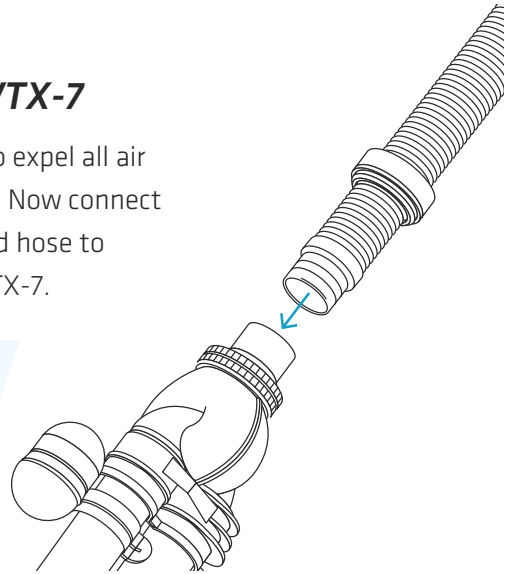


## STEP 6

### **Connect the Hose to the VTX-7**

Submerge the VTX-7 in your pool to expel all air (rotate to help remove trapped air). Now connect the weighted end of the submerged hose to the swivel head assembly of the VTX-7.

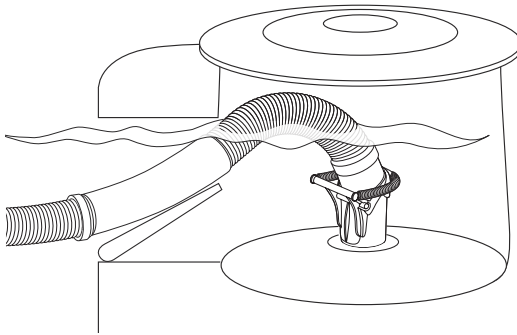
**NOTE:** Do not use any other brand of pool cleaner hose with your VTX-7 or performance and coverage will be impaired.



## STEP 7

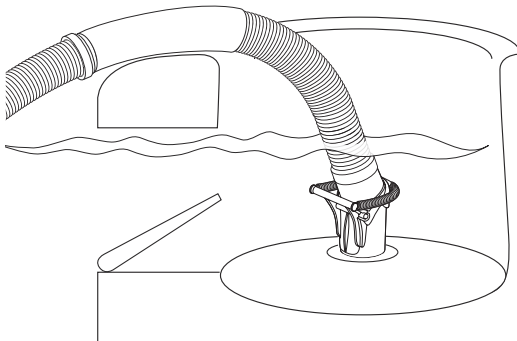
### Connect Hose to the Skim Valve

Slide the retaining collar and then the protector sleeve onto the end of the hose. Connect the hose to the Smart-Skim valve (or Auto Skim valve if using the upgrade.) There are two options for the path of the hose:



#### Option 1:

Hose through the skimmer box door.



#### Option 2 (improves surface skimming):

Hose through the top of the skimmer box, cover removed.

Position the retaining collar so that it holds the protector sleeve in place to protect the hose from wear where it is in contact with the pool edge or skimmer box door.

Turn on the pump. Your VTX-7 should now be up and running. You should hear a gentle ticking – that's your cue to relax while the VTX-7 gets to work cleaning your pool.

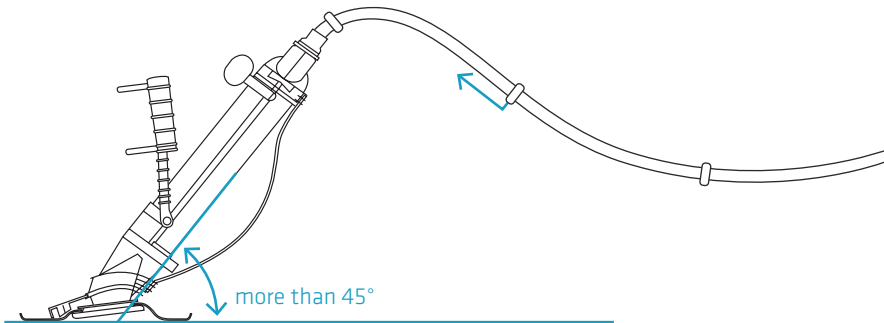
## Fine-tuning your VTX-7

Depending on your pool's shape and surface, you may need to make some small tweaks to optimise the performance of your VTX-7.

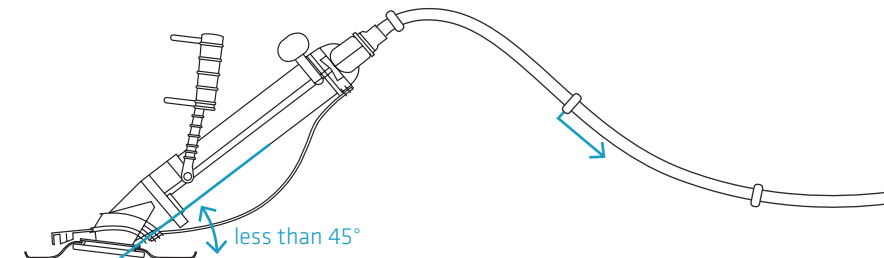
### *How to achieve the right incline*

**VTX-7 works best when the main body sits at a 45° incline to the pool surface.**

If your cleaner is lifting (greater than 45°), move the second hose weight towards the swivel head assembly. To test if it is sitting correctly turn off the pump, tow the VTX-7 into 1.2 metres of water and observe how it sits when it settles to the bottom. Adjust the second weight further if needed.



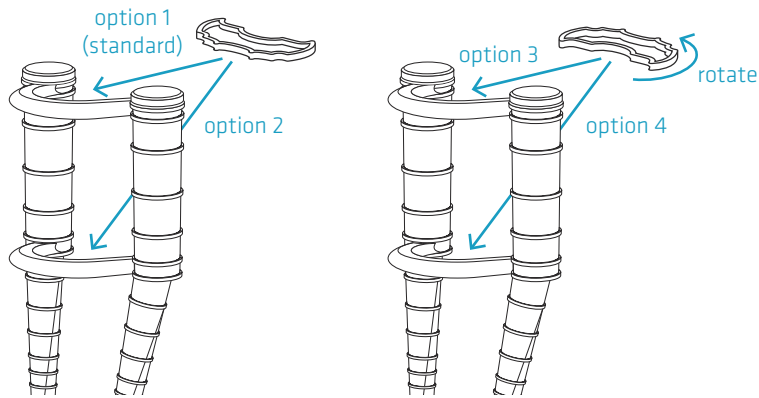
If your cleaner is sitting lower than 45°, move the second hose weight away from the swivel head assembly. If it still won't sit correctly, remove the first hose weight or call your pool shop or our Customer Service Centre for advice.



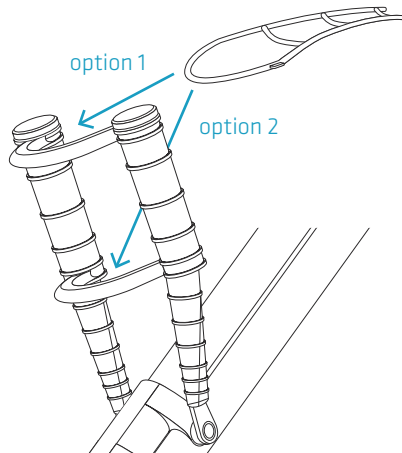
## Adjust the turning action

If your pool sits above ground, has box sections or unusual features, you may need optional extras to customise the turning action.

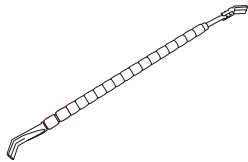
- **Steering Adjuster Float Bar** (comes as standard) – clips into the bridge in 4 different positions to adjust the angle and balance of your VTX-7.



- **Extended Float Bar** (optional) – fits to either the top or bottom bridge to adjust the VTX-7's turning circle.

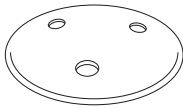


# Authorised Kreepy Krauly Accessories



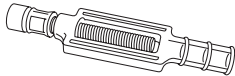
## Roller Bumper Strap

For pools with rough surfaces that place excessive wear on a standard bumper strap.



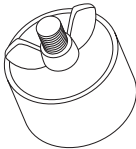
## Main Drain Cover

Place over main drain grille to ensure the VTX-7 can move smoothly. (No screws required.)



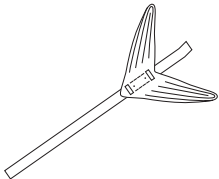
## Vacuum Plate Clamp

Holds down the vacuum plate when the pool pump is off.



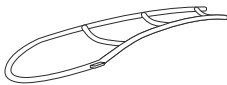
## Expanding Plug

Used to block off selected skimmer box pool drain inlets.



## Step Deflector

Prevents VTX-7 from becoming trapped in tight corners or on steps.



## Extended Float Bar

Assists in steering the VTX-7 away from obstacles such as steps or lights.

# Troubleshooting

## ***VTX-7 pulsates rapidly but doesn't move, or travels very slowly:***

- Check that the sole is fitted correctly.
- If the sole tread is worn away, replace it with a new sole.
- Check that the combined vacuum plate and Auto Skim or Smart-Skim valves are fitted correctly (see page 7).
- Check the markings on the silicon seal to make sure it hasn't been installed upside down.
- Check the Smart-Skim or Auto Skim valve isn't jammed. If it is, remove the valve from the vacuum plate, submerge the valve in water – opening and closing until it moves freely.
- Check Smart-Skim spring is correctly attached.
- Check for a blockage in the main body of your VTX-7 (see page 19).

## ***VTX-7 travels too slowly, or doesn't pulsate:***

- If the filter is blocked, backwash or clean it thoroughly.
- If the flow valve at the bottom of your VTX-7 is blocked, clean out the valve (see page 19).
- If the pump or skimmer box strainer basket is full or blocked, clean them out.
- If the main drain valve is open, shut it off, or fit an optional expanding plug.
- Check for damage to the main body.

## ***Low vacuum or slow, faltering hammering sound:***

- Check large debris isn't blocking your VTX-7 or hose (see page 19).
- Check the combined Auto Skim valve or Smart-Skim valve and vacuum plate is sitting correctly in the skimmer box. You may need a different size plate.
- Backwash filter.



- If you have more than one skimmer box, you'll need to block off water flow from the box not connected to the VTX-7.
- If the inlet from the main drain is leaking, install an expanding plug.
- Your pool pump and filter system may be too small to effectively run your VTX-7. Ask your pool pro to advise.
- Check for leaks or small holes in the main body.
- Check flow valve for damage.

### ***VTX-7 stays at one end of the pool:***

- Check that the hose is long enough to reach the far corner of the pool. If it isn't, add extra sections.
- Check that the hose isn't kinked or coiled. If it is, follow these steps:
  - If the storage box has caused the hose to coil, you will need to relax it. The easiest method is to lay it flat by the pool for a few hours on a hot day (above 28°C).

- If the weather is cooler, lay the hose out straight and fill it with warm (50-60°C) not boiling water. Roll the water backwards and forwards until the hose warms up and uncoils. Empty the warm water and then pour cold water through the hose – either manually or by attaching one end to the pump.

- Check that the pool outlets aren't pushing the VTX-7 off course. Adjust downwards if necessary or use an eyeball diverter.
- Do you have enough pool weights on the hose? Additional weights may improve directional stability.

### ***VTX-7 only travels around the water line:***

- Your pool tiles may not sit flush with the plastered walls. Fit your steering adjuster float bar in position option 3 or 4 (see page 12) or consult your pool pro.
- Check the hose is not coiled. If it is coiled, try to straighten the hose out.

***VTX-7 travels around the water line in only one direction:***

- Check that the main body and swivel head are not out of alignment. Adjust accordingly.

***VTX-7 sticks on the underwater light:***

- The seal could be getting trapped on the light fitting. Try fitting your steering adjuster float bar in position option 3 or 4 (see page 12).

***The VTX-7 only climbs part way up the wall:***

- Check the sole isn't worn and needs replacing.

***VTX-7 becomes stuck on the main drain:***

- Fit a main drain cover over the grille.

***VTX-7 keeps wedging itself on the steps:***

- Attach a Step Deflector (bumper) – available from your pool shop. Or, shorten the pool hose slightly so the VTX-7 can't reach the steps and clean the missed area manually.
- Check silicon seal and sole for damage.

***VTX-7 doesn't sit at 45° and has difficulties attaching to the pool floor:***

- Adjust hose weights closer to or further away from the machine until the seal is flat on the pool floor.
- Make sure the bumper strap is fitted.
- Check for damage to the machine and missing floats.

***You notice bubbles at return to pool outlets:***

- Check if the hose is damaged by lifting it near the surface and listening for a hissing sound. Replace damaged section with a new section.
- Reprime the pump.
- Check the Auto Skim valve or Smart-Skim valve isn't jammed.
- Make sure the pool water level is high enough.
- Check the Auto Skim valve isn't sitting above the waterline. If it is, fit an anti-vortex washer on the valve.

***VTX-7 is always coming to the surface of the pool, possibly drawing in air:***

- Check that the Auto Skim valve or Smart-Skim valve is installed correctly (see page 7).
- Check that there are no large leaves blocking the skim valve and creating excess vacuum.
- Check the hose weights are fitted correctly and readjust if necessary.
- Check that the steering system is clean and can move freely.
- Fit your steering adjuster float bar in position option 3 or 4 (see page 12) or use extended float bar.

***NOTE:*** For more detailed troubleshooting advice please don't hesitate to contact your helpful local dealer, or check our online resources for tips and other information: [www.kreepykrauly.com.au](http://www.kreepykrauly.com.au)

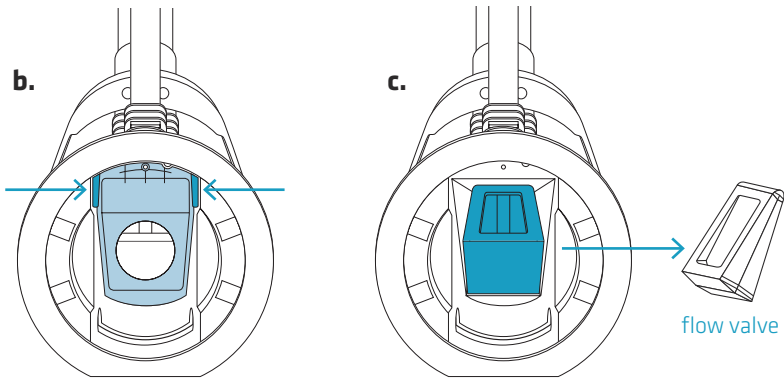
## Looking after your VTX-7

- **IMPORTANT** If you are giving the water a shock treatment with chlorine or other chemicals, remove your VTX-7 from the pool for at least 24 hours. If the chemicals are too strong for people to swim in, they're too strong for the VTX-7.
- Do not use petrol or solvents to clean your VTX-7 as they will damage it. If needed, use detergent and water.
- Periodically check the suction seal, scrubbing sole and bumper for wear and tear. If they need replacing, see your pool shop.

### **TIPS TO PROTECT YOUR HOSE:**

- Never stretch or lift the hose while it is full of water
- Never hang your hose from hooks
- Always store your hose loosely coiled (minimum 1m diameter) on a flat surface or, ideally, disassemble and store straight – particularly if storing long term. This will prevent the hose from kinking and ensure your VTX-7 can move freely when you return it to the pool.

- **Check the flow valve** periodically, or when there is a blockage:
  - a. Remove the sole and then silicon seal
  - b. Remove the baffle plate by firmly pressing the plastic side tabs inwards
  - c. Remove and clear and debris from the flow valve
  - d. Replace flow valve, baffle plate, silicon seal and then sole.



## ***Beware of the pool blanket effect***

Pool blankets prevent chlorine evaporating. If you're using one, carefully monitor your chlorine or salt water setting to avoid over chlorinating your pool, which can harm your VTX-7 and void your warranty. If you have any questions please call our Customer Service department on 1800 777 255 or talk to your pool shop pro.

# *What should I expect from my VTX-7?*

## ***How it moves***

Your Kreepy Krauly VTX-7 will move backwards in direction, with the water flowing through the base of the cleaner and alternately diverted between the two drive tubes. The kinetic energy generated by the water being trapped in each drive tube provides the lifting and propelling motion of the cleaner, which may result in a faintly audible 'ticking' sound.

## ***How it Steers***

Your cleaner steers utilising its dive float assembly to create a Unique Crisscross Pattern. This allows your cleaner to climb up the walls and efficiently cross the pool floor. In combination with the Ultra Flex hose, which ensures your cleaner is not restricted or directed by the hose.

## ***How it Cleans***

Your VTX-7 will clean your pool daily with your normal filter cycle by gently Skimming, Scrubbing and Vortex Vacuuming your pool surface. Its oversized scoop in combination with Smart-Skim, will ensure leaves and debris on the floor and at water level are efficiently removed direct to your skimmer basket and filter. Don't be shocked if at first you see a white cloud appear around your cleaner, this is calcium build up being gently removed from your pool surface. The entire system efficiently delivers our promised Triple Clean with Vortex.

## ***The Ultra Flex Hose***

The unique Ultra Flex hose rests just below the water surface, due to its buoyancy and hose weights. The ultra flex design means when the cleaner crosses paths with the hose section closest to the cleaner, it is able to move freely. This gives your cleaner the freedom and mobility to cover every inch of your pool.

# Your Warranty

Your VTX-7 is engineered to last. This is reflected in the 2-year Full System Warranty and 10-year Flow Turbine Warranty.

## ***Protecting Your Warranty***

All Kreepy Krauly pool cleaning systems are made in Australia to withstand harsh Australian conditions. They are manufactured from top quality materials that are UV, salt and chemical resistant. Being an Australian company, we offer local after sales service, maintenance and parts. For any troubleshooting with your VTX-7, simply contact your local pool shop for assistance. You will extend the life of your VTX-7 by using genuine VTX-7 parts and chlorinating your pool correctly. The use of non-genuine parts and over-chlorinating your pool may void your warranty, impair your VTX-7's performance or result in colour fade.

## ***Activating Your VTX-7 Warranty***

To activate your 2-year Full System Warranty and 10-year Flow Turbine Warranty, please fill in your VTX-7's serial number and return the self-addressed warranty registration card to us as soon as possible. Alternatively, you can activate your 2-year Full System Warranty and 10-year Flow Turbine Warranty online at [www.kreepykrauly.com.au/warranty](http://www.kreepykrauly.com.au/warranty).

**Record Serial Number Here:**

**TIP:** Your Serial Number can be found on the packaging or stamped on the underside of your float assembly.

**NOTE:** For full warranty conditions, please refer to your warranty card or go online to [www.kreepykrauly.com.au/warranty](http://www.kreepykrauly.com.au/warranty)

## *Further Information*

This booklet should have answered all your questions. However if you need a little extra help or up-to-date information, go to **[www.kreepykrauly.com.au](http://www.kreepykrauly.com.au)**, or call our Customer Service Department on 1800 777 255, Monday to Friday 9am-5pm in your local area. Alternatively, contact your local pool shop professional.



**[www.kreepykrauly.com.au](http://www.kreepykrauly.com.au)**

We reserve the right to revise, change, or modify VTX-7 without incurring any obligations to make like changes on VTX-7 models previously sold. This publication remains the sole copyright of Sherwood Overseas Co Pty. Ltd