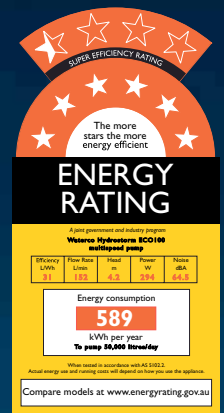


HYDROSTORM ECO PUMP

Energy Saving 3 Speed Pump

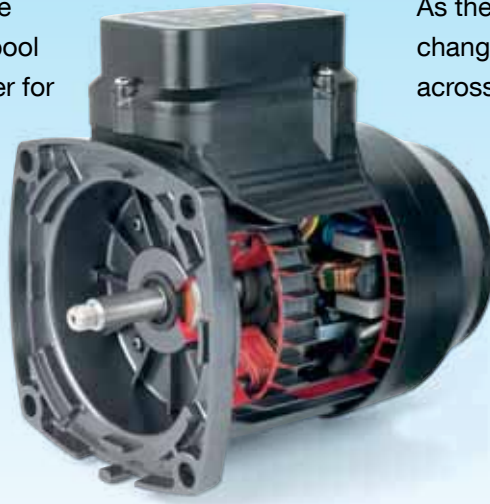
Equipped with an energy saving 3 speed motor, Hydrostorm ECO is capable of lowering its energy usage & reducing its operating noise levels.

- Energy Rating of 6 ½ Stars
- Innovative permanent magnet brushless DC motor
- Ultra quiet operation



Energy Saving

Conventional pool pumps are limited to one set speed. A pool pump is usually sized to cater for the pool's maximum water flow requirements, which may either be the sand filter's backwash water flow or to provide sufficient water flow to operate a suction cleaner.



As the speed of a conventional pump cannot be changed, the same maximum water flow is applied across the pool's various requirements.

Equipped with the very latest 3 speed permanent magnet brushless DC motor, Hydrostorm ECO is capable of lowering its motor speed, reducing water flow and lowering its energy consumption.

3 Speed Options

Hydrostorm ECO's 3 speed options cater for most pool functions.

- **High speed** - Vacuuming and backwash – 1% of the time
- **Medium speed** - Automatic pool cleaners
- **Low speed** - Filtration – 99% of the time



Pool filtration does not require to be operated at a pump's maximum water flow rate. In fact, your pool's filtration efficiency improves at lower flow rates. As a pool's filtration cycle occupies 99% of the run time of a pool pump, you can operate the Hydrostorm ECO on its low speed setting for a majority of its running time, leading to significant energy savings.

Hydrostorm ECO can slash its energy use by up to 67%, by operating it at low speed.

Benefits of Slow Flow

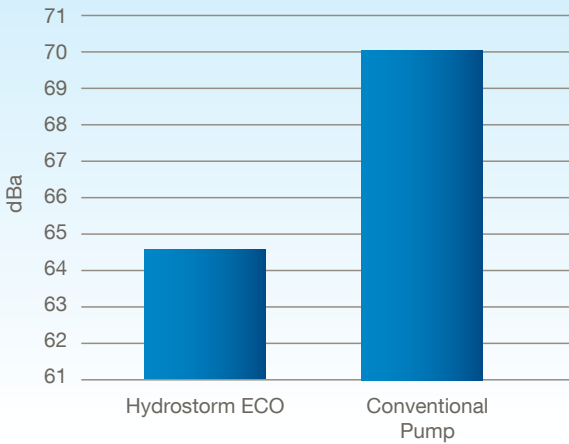
Lowering a pump's flow rate not only significantly decreases the pump's energy requirements, but also reduces water flow resistance in your pool equipment and plumbing. Even though you may need to operate the Hydrostorm ECO longer, it is far more efficient pumping low water flow compared to high water flow.

A slow flow rate also has the added benefit of improving your pool's filtration efficiency, enhancing the clarity of your swimming pool water. Plus your automatic chemical dosers and salt chlorinators are also more effective when the pool water is circulated longer.



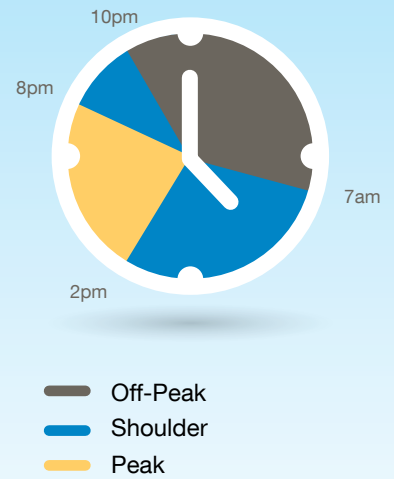
Ultra Quiet

Hydrostorm ECO operates most economically and with the lowest noise level at its low speed setting. Its low speed setting significantly reduces the pump's vibration, motor noise and water turbulence to an ultra low 64.5 decibels (dBA).



Off-Peak Operation

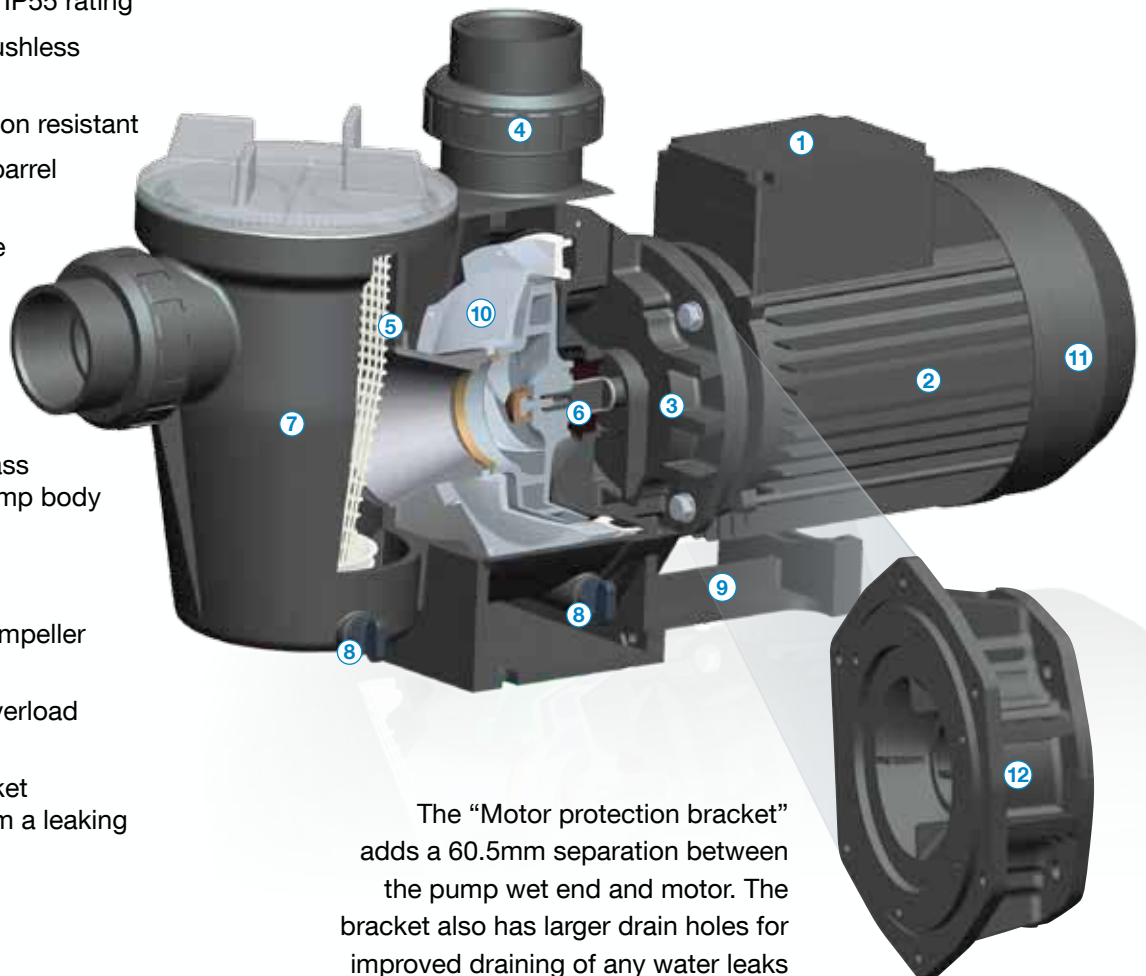
Its low noise levels enable it to be operated at times that are not allowable for conventional pool pumps. A Hydrostorm ECO allows you to take advantage of off-peak electrical tariff periods, without upsetting your neighbours.



Hydrostorm ECO can save you hundreds of dollars off your energy bill.

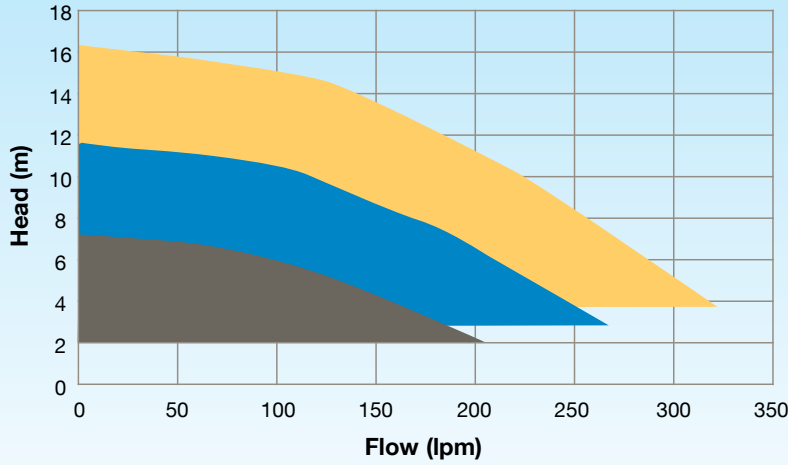
Key Features

1. 3 speed control panel, IP55 rating
2. Permanent magnet brushless 3 speed DC motor
3. UV stabilised & corrosion resistant
4. 50mm quick connect barrel unions for UPVC pipe
5. Clear basket lid & large 2.1lt strainer basket
6. High grade carbon/graphite mechanical seal with 316 stainless steel spring assembly
7. Strong single piece glass filled thermoplastic pump body
8. Drain plugs
9. Stable support base
10. Hydraulically efficient impeller and diffuser design
11. Fan cooled Thermal overload protection
12. Motor protection bracket protects the motor from a leaking mechanical seal



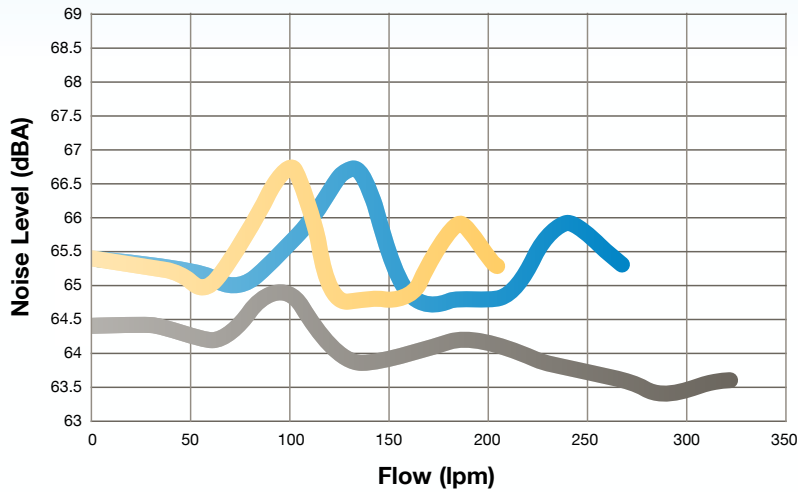
The "Motor protection bracket" adds a 60.5mm separation between the pump wet end and motor. The bracket also has larger drain holes for improved draining of any water leaks due to long term usage wear of the main mechanical seal.

Hydrostorm ECO Performance Curves



- Low speed (1900rpm)
- Medium speed (2410rpm)
- High speed (2850rpm)

Hydrostorm ECO Noise Levels



ENERGY RATING

A joint government and industry program
Waterco Hydrostorm ECO100
 multispeed pump

Efficiency L/Wh	Flow Rate L/min	Head m	Power W	Noise dBA
31	152	4.2	294	64.5

Energy consumption
589
 kWh per year
 To pump 50,000 litres/day

When tested in accordance with AS 5102.2
 Actual energy use and running costs will depend on how you use the appliance.

Compare models at www.energyrating.gov.au



Warranty

Pumps	3 years (conditional)*
Wet End	3 years
Motor, mechanical seal, hair & lint pot lid, o'ring, basket, impeller & diffuser	2 years
Commercial applications	1 year
Labour	1 year

*Please refer to Waterco's warranty terms and conditions

Specifications

Length (mm)	Height (mm)	Width (mm)	Packaged Weight (kg)
651	340	227	10

Medium speed (2410rpm)

Pump Total Head (m)	Flow Rate (lpm)	Motor Input (kW)	Amps	Noise Level (dBA)
6.8	215	0.62	4.6	63.4
8.5	190	0.61	4.6	63.8
10.0	162	0.61	4.6	64.1

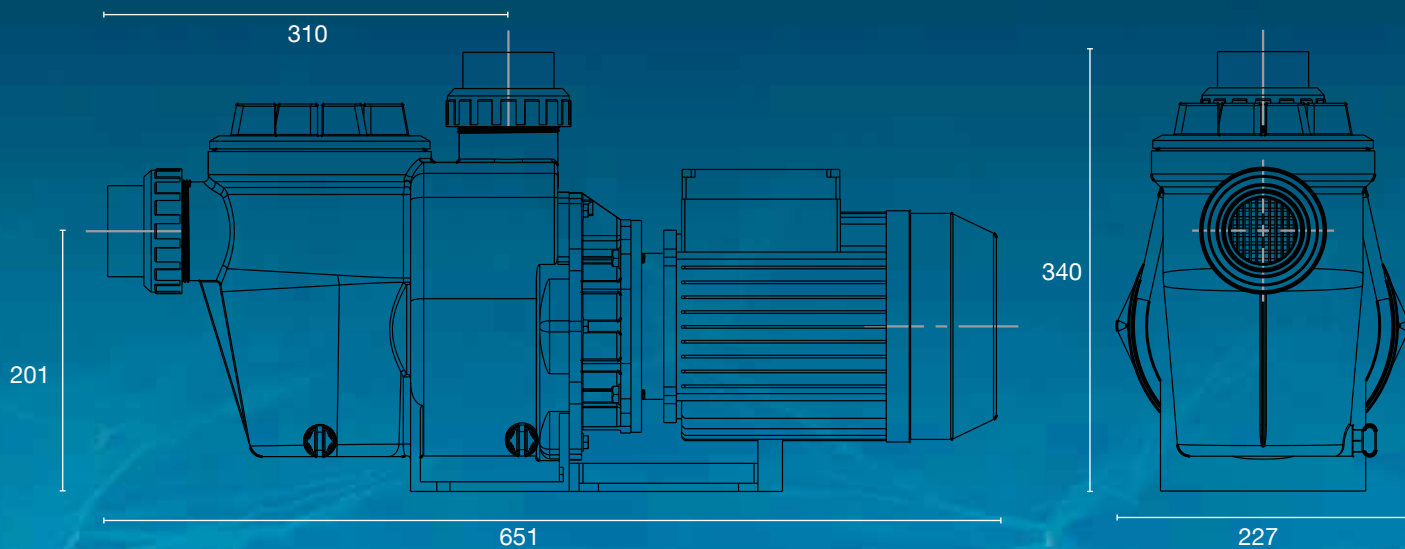
Low speed (1900rpm)

Pump Total Head (m)	Flow Rate (lpm)	Motor Input (kW)	Amps	Noise Level (dBA)
4.3	142	0.32	2.5	59.8
5.6	122	0.32	2.5	60.1
6.9	101	0.32	2.4	60.5

High speed (2850rpm)

Pump Total Head (m)	Flow Rate (lpm)	Motor Input (kW)	Amps	Noise Level (dBA)
6.7	288	0.94	7.1	67.7
9.6	255	0.97	7.3	67.2
10.6	223	0.98	7.3	67.2

Dimensions (mm)



WATERCO

Water, the liquid of life



www.waterco.com

OFFICES - AUSTRALIA

NSW - Sydney (Head Office)
Tel: +61 2 9898 8600

QLD - Brisbane
Tel: +61 7 3299 9900

VIC/TAS - Melbourne
Tel: +61 3 9764 1211

WA - Perth
Tel: +61 8 9273 1900

SA/NT - Adelaide
Tel: +61 8 8244 6000

ACT Distribution
Tel: +61 2 6280 6476

OFFICES - OVERSEAS

Waterco (Europe) Limited
Sittingbourne, Kent. UK
Tel: +44 (0) 1795 521 733

Waterco (USA) Inc
Augusta, Georgia, USA
Tel: +1 706 793 7291

Waterco Canada
St Hyacinthe, Quebec, Canada
Tel: +1 450 796 1421

Waterco (NZ) Limited
Auckland, New Zealand
Tel: +64 9 525 7570

Waterco (C) Limited
Guangzhou, China
Tel: +86 20 3222 2180

Waterco (Far East) Sdn Bhd
Selangor, Malaysia
Tel: +60 3 6145 6000

PT Waterco Indonesia
Jakarta, Indonesia
Tel: +62 21 4585 1481

Waterco Singapore Intl Pte Ltd
Nehsons Building, Singapore
Tel: +65 6344 2378

DISTRIBUTED BY:

