

# OPERATION OF YOUR QUIPMASTER FILTRITE SK950 SKIMMERMATIC

This is the uniquely designed, circular and conically shaped heart of the Quipmaster Filtrite Integrated Systems Control. Moulded in high impact transparent material.

The SK950 may be operated with the vacuum plate in or out. Some Pool Construction companies have a high freeboard to their pools and in such case, it would be preferable to operate with the vacuum plate removed. This would then overcome the incidence of creating a vortex through the vacuum plate.

By rotating the vacuum plate through 90° in either direction, five (5) operating conditions can be achieved. The vacuum plate is engraved with appropriate numbers for ease of operation. If so desired, the vacuum plate may be removed and the Skimmermatic will operate with equal efficiency.

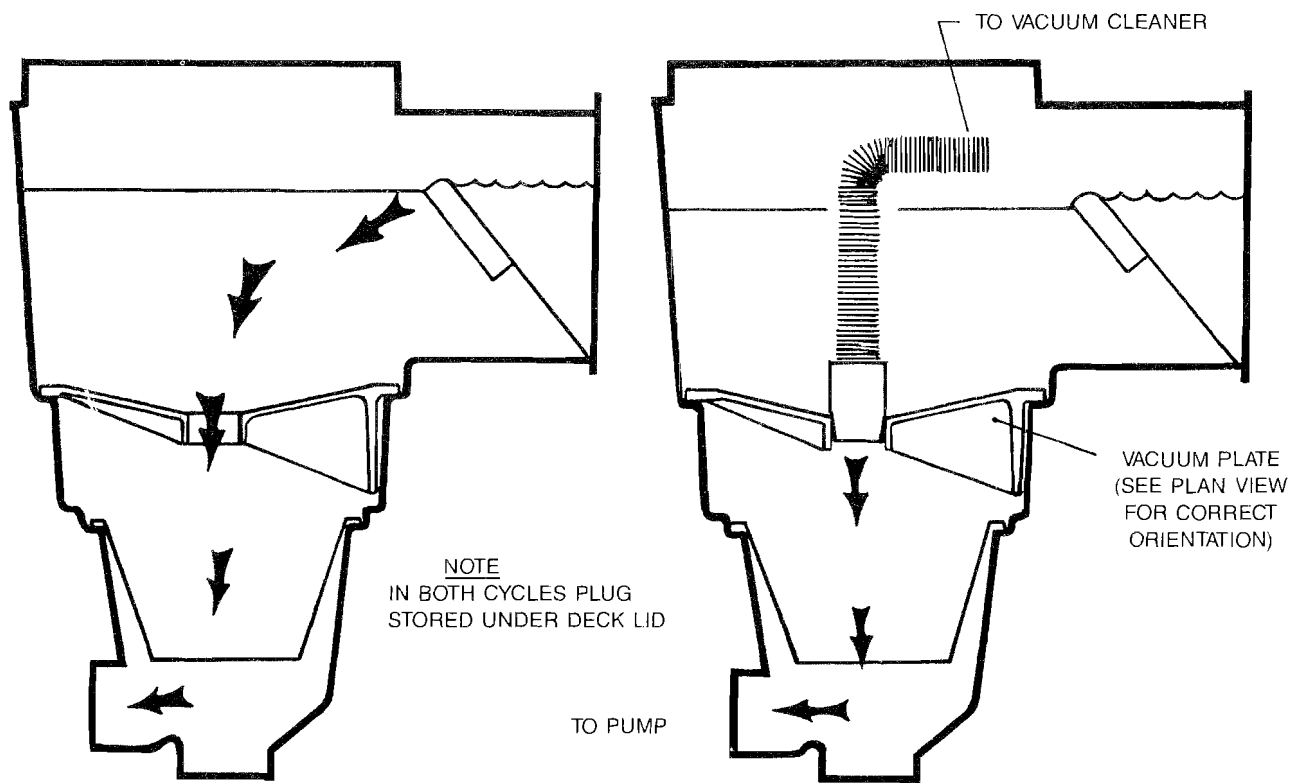
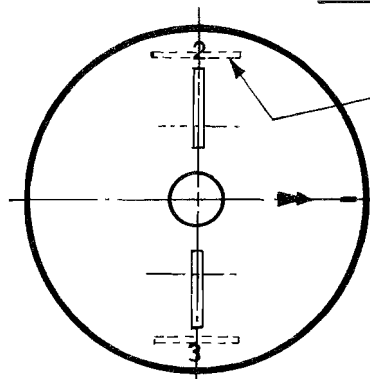


Fig (a) NORMAL RECIRCULATION

Fig (b) VACUUM CLEANING THROUGH VACUUM PLATE

ORIENTATION OF VACUUM PLATE FOR POSITION No. 1



**NOTE** DIVERTER PLATES BLOCK BOTH MAIN DRAIN PORT AND EXTERNAL VACUUM LINE

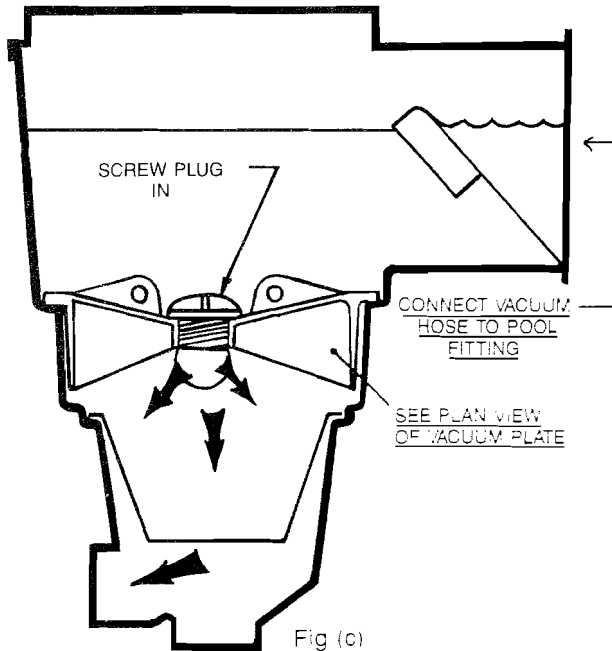
**NOTE** ARROW POINTS TOWARDS POOL WHEN SELECTING DESIRED CYCLE

Two cycles are possible in this position;

(i) **Normal Recirculation.** For this cycle the centre screw plug is unscrewed from the vacuum plate and is stowed in the position provided under the Skimmer Box Deck Lid.

(ii) **Vacuum Cleaning Through Vacuum Plate.** To achieve this cycle, leave the vacuum plate in this position and simply insert the cuff of the vacuum hose into the vacuum plate. Refer drawing of position 1.

VACUUM CLEAN THROUGH  
EXTERNAL PLUMBING

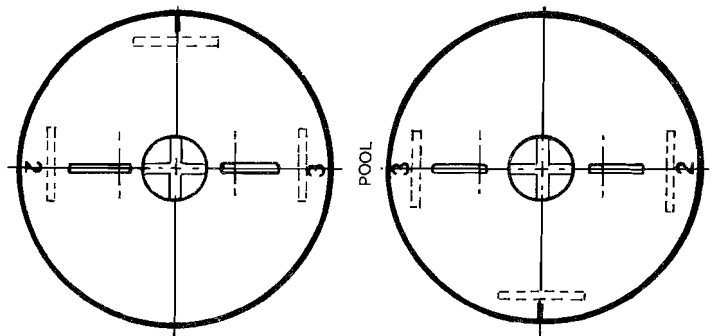


**Vacuum Cleaning Through External Plumbing.**

**Note:** Refer to heading "right or left hand installation" to ascertain your particular position number.

Set Vacuum Plate in Position 2 or 3 (depending on installation). Screw centre plug *into* the vacuum plate so that the full force of the suction will be directed through your vacuum cleaning line. Refer drawing.

ORIENTATION OF VACUUM PLATE



RIGHT HAND INSTALLATION  
Point No. 3 towards pool

LEFT HAND INSTALLATION  
Point No. 2 towards pool

CYCLE (i)  
SUCTION FROM MAIN DRAIN

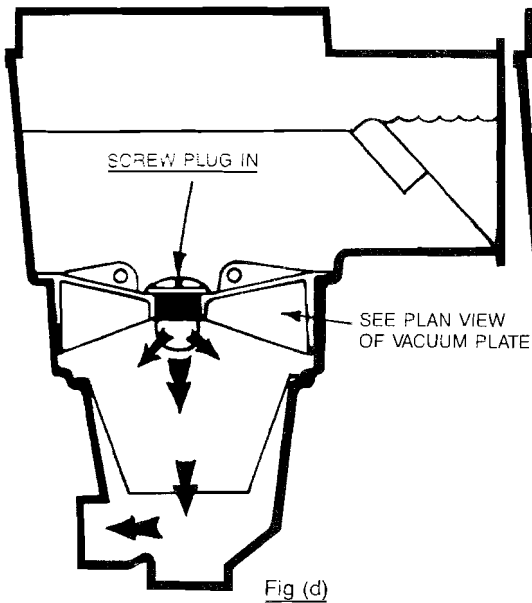


Fig (d)

CYCLE (ii)  
SUCTION FROM MAIN DRAIN &  
POOL SURFACE SIMULTANEOUSLY

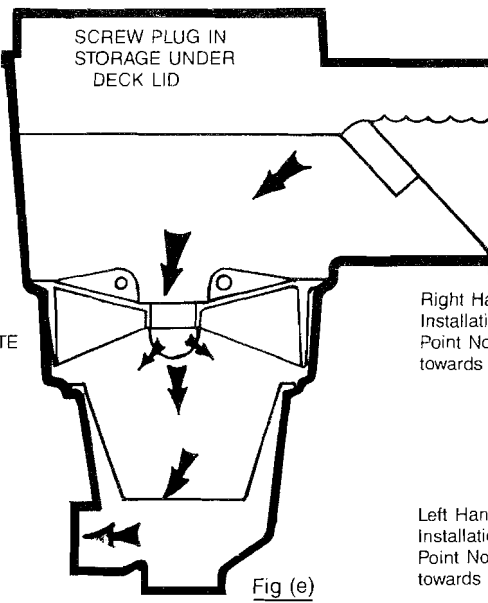
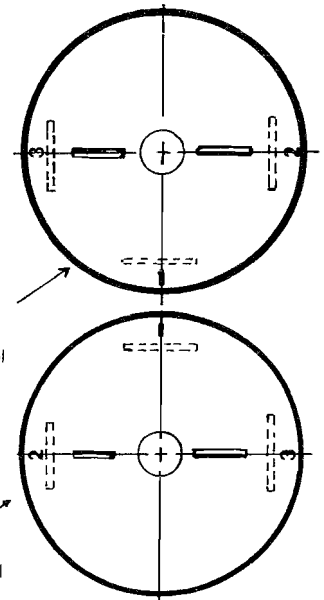


Fig (e)

Orientation of Vacuum Plate  
(For Both Cycles)



**Note:** Refer to heading below "right or left hand installation" to ascertain your particular position number.

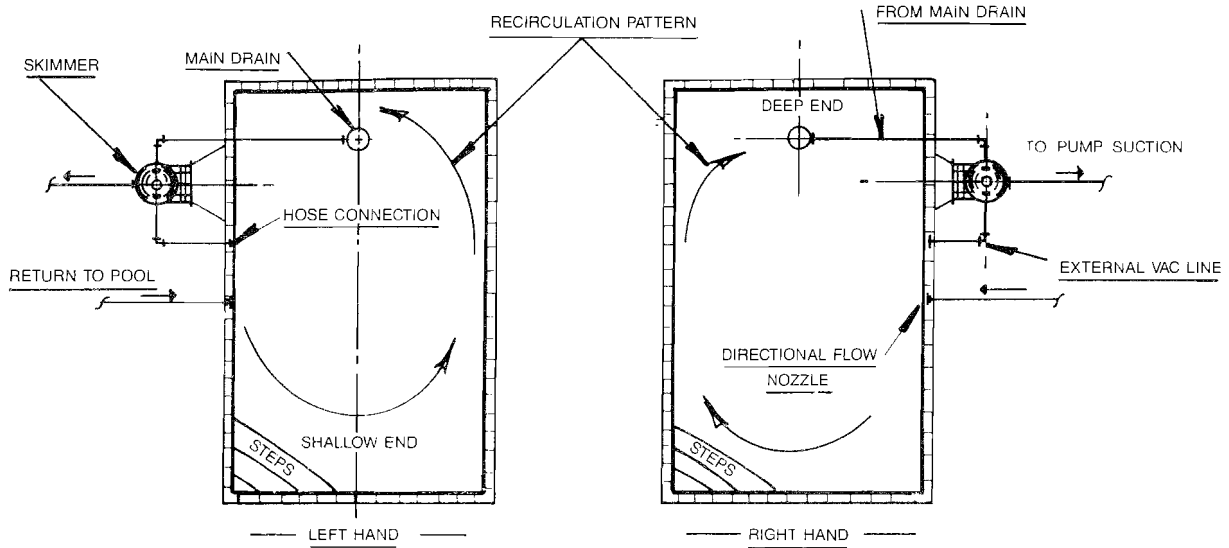
Two cycles are possible in this position.

- (i) **Suction from only the Main Drain.** This particular cycle permits complete emptying of your pool. Simply set the vacuum plate in the appropriate position and screw plug *into* the vacuum plate.
- (ii) **Suction from Main Drain and Pool Surface Simultaneously.** To achieve this cycle leave the vacuum plate in this position, but screw plug *out* of the vacuum plate and store under the deck lid. This particular cycle has two main advantages.
  - (a) **Heating** — owners of the SK950 can improve their pool heating by surface skimming and drawing water from the main drain. This is an important feature which other skimmers

neglect. However, by setting your vacuum plate in this position the coldest, deepest water around the main drain will be mixed with the surface water so as to equalize temperatures and to assist in a more rapid and uniform heating of your pool.

(b) **Protection of Pool Interior** — a further advantage of the SK950's ability to draw water from the main drain whilst maintaining normal skimming, is during the adjustment of the pools (water) pH with muriatic acid. Invariably, owners do not mix the acid sufficiently with the water, resulting in the acid sinking to the pool floor and flowing to the main drain in concentrated form. However with the SK950 set in this cycle, any acid concentration will be drawn through the main drain and be diluted when it combines with water flowing over the weir. This will reduce the incidence of etching the pool's plaster interior.

## RIGHT OR LEFT HAND INSTALLATIONS



NOTE — SCHEMATIC LAYOUT ONLY EXACT POSITION  
OF SKIMMER MAIN DRAIN, AND GENERAL  
PIPING DEPENDS ON INDIVIDUAL INSTALLATION

The connection points for the main drain and external vacuum cleaner plumbing are positioned on either side of the skimmer box. These are both 1½" (38mm) B.S.P. female threads. It is, therefore optional as to which outlet the plumbing lines connect, although under normal operating conditions this will be determined by which end of the pool the skimmer box is installed.

The above drawing shows the layout of two pools — one left hand, one right hand installation using these as a standard we can now summarize the operation of the SK950 Skimmermatic.

**WARNING**  
do not handle vacuum plate when pump is running and plate is in place.

CYCLE	FIG No.	RIGHT HAND POSITION No.	LEFT HAND POSITION No.
Normal Recirculation	a	1 Plug Out	1 Plug Out
Vacuum Cleaning Through Vacuum Plate	b	1 Plug Out Insert Hose	1 Plug Out Insert Hose
Vacuum Cleaning Through External Plumbing	c	3 Plug In	2 Plug In
Main Drain Only	d	2 Plug In	3 Plug In
Main Drain and Skimmer Simultaneously	e	2 Plug Out	3 Plug Out

A division of Filtrite Industries Pty. Ltd.

6-8 Hampstead Road, Auburn, N.S.W. 2144  
Phone: 648 2004  
DISTRIBUTORS ALL STATES