

HurricaneTM

Turbo Pump & Swim-Jet System –

Has the power to turn your swimming pool into a practical sport and leisure zone, with a counter-current swim system.



Features & Benefits

- Maximises the value and enjoyment of your pool
- High powered pump provides a high flow jet of water to swim against
- Swim jet controlled by air switch on swim jet. No need to leave the pool to turn on or off
- Turbo swim jet outlet provides 3 settings for jet flow control
- Simple installation of swim jet – only one hole required for both suction & return points
- Designed for dependability and long life using corrosion resistant, UV stabilised materials
- Self priming up to 4 metres for easy operation and installation
- Stainless steel pump shaft suited for salt chlorinated pools
- 65mm barrel unions for easy installation to large OD pipe
- 65-80mm PVC adaptors also available for easy connection to DN80 pipe

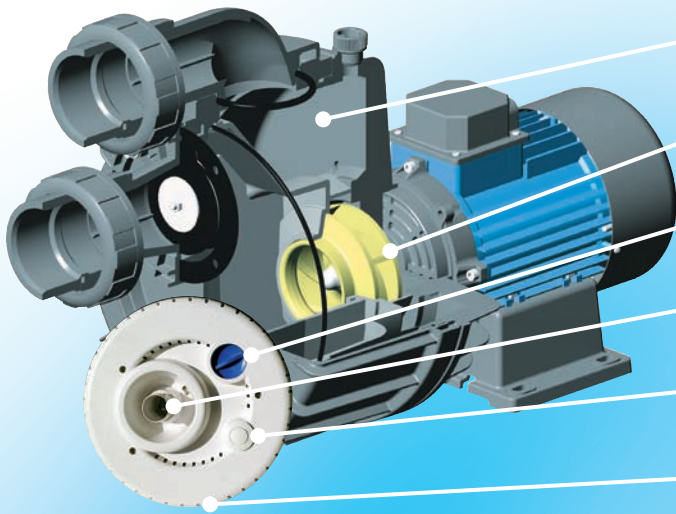
Guarantee – 3 years



monarchseries.com.au

Hurricane™

Turbo Pump & Swim Jet



Corrosion resistant body, foot and diffuser from glass-filled polypropylene construction.

Stainless steel motor shaft for corrosion resistance in salt water pools. Carbon / Ceramic mechanical seal.

Air Mixture Dial regulates jet bubbles through outlet adjustment

Adjustable jet stream nozzle

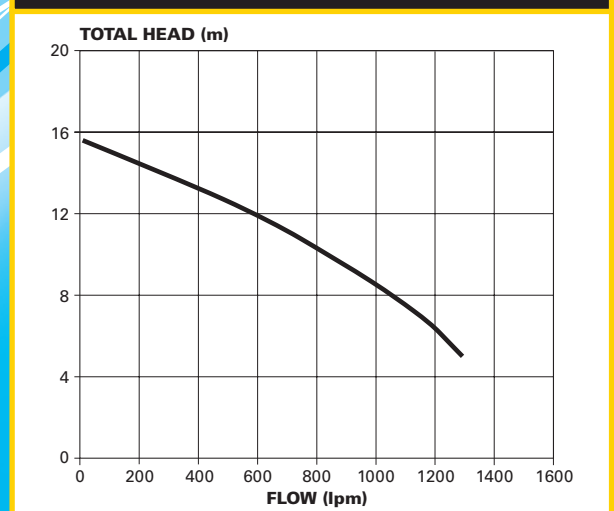
Air switch to activate pump from pool

Integrated suction and return-jet

ELECTRICAL DATA

Model	Hurricane 300
Voltage (V)	220-250
Supply Frequency/Phase	50Hz / 1
Run Current (A)	12.5
Motor Input Power (W)	3000
Motor Output Power (W)	2300
RPM	2900
Enclosure Class (IP)	55
Insulation Class	F
Approval No.	W2442

HYDRAULIC PERFORMANCE

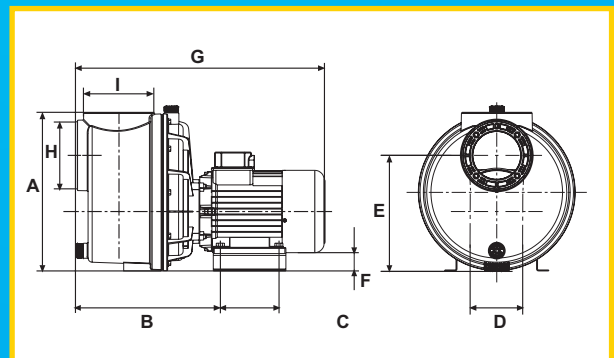


OPERATING LIMITS

Water Temperature	Max 35°C
Ambient Temperature	Max 50°C

DIMENSIONS (mm)

Model	A	B	C	D	E	F	G	H	I	Barrel Unions	Net Weight (Kg)
Hurricane 300	339	408.5	125	140	245.5	36.5	533.5	101	102.5	65	26



Datasheet Disclaimer:

All details in this leaflet are accurate at the time of printing. This literature is not a complete guide to product usage. Further information is available from your Monarch Series dealer, Davey Customer Service Centre and from the relevant product Installation & Operating Instructions. This datasheet must be read in conjunction with the relevant Installation & Operating Instructions and all applicable statutory requirements. Product specifications may change without notice. © Davey is a registered trademark of Davey Water Products Pty Ltd. © Davey Water Products Pty Ltd 2008.



Davey Water Products Pty Ltd

Member of the GUD Group
ABN 18 066 327 517
Head Office and Manufacturing
 6 Lakeview Drive, Scoresby, Australia 3179
 Ph: +61 3 9730 9222
 Fax: +61 3 9753 4100
 Website: davey.com.au

Customer Service Centre
 Ph: 1300 2 DAVEY (1300 232 839)
 Fax: 1300 304 850
 E-mail: sales@davey.com.au
 Interstate Offices
 Sydney • Brisbane • Adelaide
 Perth • Townsville

International

6 Lakeview Drive,
 Scoresby, Australia 3179
 Ph: +61 3 9730 9121
 E-mail: export@davey.com.au

New Zealand

7 Rockridge Avenue,
 Penrose, Auckland 1061
 Ph: +64 9 570 9135
 Website: daveynz.co.nz
 E-mail: sales@daveynz.co.nz

Germany

Kantstrasse 53,
 04275 Leipzig
 Ph: +49 341 301 0412
 E-mail: akrenz@daveyeurope.com

USA - Davey Pumps Inc.

1005 N. Commons Drive,
 Aurora, Illinois 60504
 Ph: +1 630 898 6976
 Website: daveyusa.com
 E-mail: sales@daveyusa.com