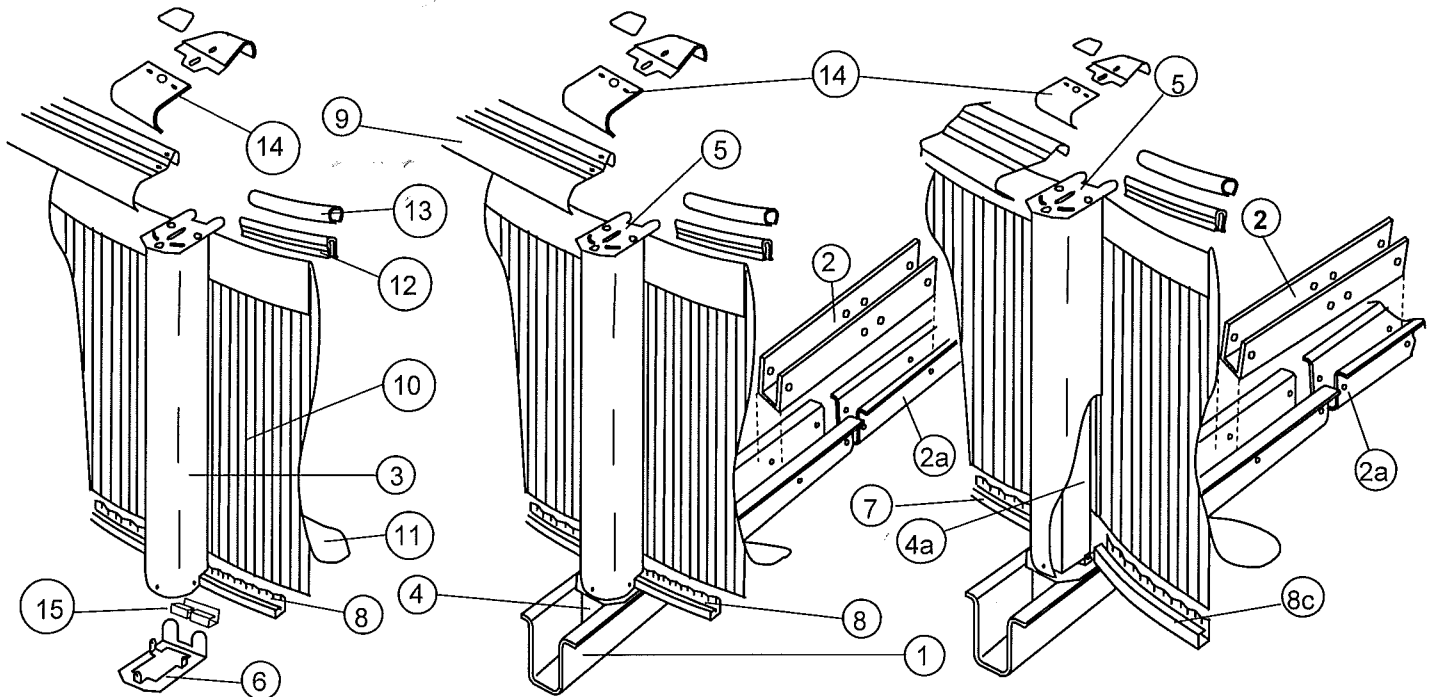


PART B CONSTRUCTION

ASSEMBLY GUIDE FOR BAHAMA BRACELESS POOLS



CURVED END SECTION

STRAIGHT SIDE SECTION

KEYHOLE CORNER POST

NUMBER OF PARTS YOU SHOULD HAVE FOR KEYHOLE POOLS

POOL SIZE

ITEM	DESCRIPTION	PART NUMBER		2516	2916	3316
1	Channel (2 pieces per set)	991909		2 sets	3 sets	4 sets
2	Channel Joiner	991923		4	6	8
2a	Channel Spacer	991910		2	3	4
3	STEEL POOL					
	Non Structural Post	4ft-991317	4ft 6in-991319	17	19	21
3a	RESIN POOL					
	Non Structural Post (closed)	4ft-991300C	4ft 6in-991301C	15	17	19
3a	Non Structural Post (open)	4ft-991307C	4ft 6in-991308C	2	2	2
4	Structural Post	4ft-991318	4ft 6in-991320	2	4	6
4a	Flanged Structural Post	4ft-91274	4ft 6in-991275	2	2	2
5	Top Post Plate	STEEL POOL	RESIN POOL			
		991340SW	991340SW	17	19	21
6	Bottom Post Plate	991341SW	991341SW	17	19	21
7	Slightly Curved Bottom Rail	991266SW	991266SW	2	4	6
8a	12ft Curved Bottom Rail	991264SW	991264SW	6	6	6
8b	15ft Bottom Rail	991265SW	991265SW	9	9	9
9	Standard Coping	991350SH	991306C	15	17	19
9a	Left Hand Coping	991344SH	991309C	1	1	1
9b	Right Hand Coping	991345SH	991310C	1	1	1
10	Metal Pool Wall			1	1	1
11	Pool Liner			1	1	1
12	PVC Edge Strips	991370		17	19	21
13	PVC Top Rail	991298		17	19	21
14	Coping connector	991363		17	19	21
15	Bottom Rail Connector	991281SW	991281SW	13	13	13

Please check all the parts and fasteners listed, notify you nearest Stern's Retailer if any are missing or damaged.